

SOLUS 9

The Solus 9 is a high-intensity LED Task Light with light intensity comparable to that of a conventional 50W halogen light source. The energy consumption is significantly lower saving approximately 85% compared to halogen.

Standard features include dimmer functionality and IP65 rating on low voltage models making the product suitable for a wide variety of applications. The Sunnex flexible gooseneck provides vibration-resistant positioning and the LED light source emits virtually no heat.

Custom versions available upon request.

Features Include

- Multi function
- Up to 36 000 Lux light output at 50cm
- Low energy consumption at 6W
- Colour Rendering Index (CRI) of 92 making the light suitable for colour-critical applications
- IP65 rating on low voltage models
- Dimmer switch in the durable aluminium lamp head

Applications

- Targeted at industry customers who needs task light with focused light intensity
- For customers with specific need of dimming in the high intensity segment

Benefits

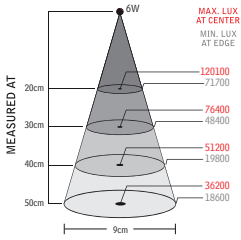
- Flexible gooseneck arm for easy positioning
- Rugged design
- High quality



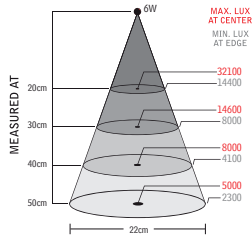


Technical Specifications

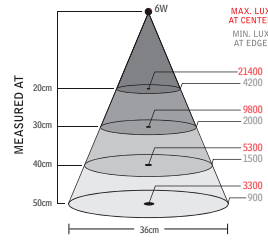
Input	12-24V AC/DC; 50/60Hz (100-240VAC Plugin AC/DC-adaptor available, IP44)
Power consumption	6W
Arm Length	500, 700 mm or spot
Colour	Black
Colour temperature	4 000K
IP rating	IP65 (low voltage models)
Protection Class	Class III
Beam angle	10° standard (25° or 40° optional)
Light output	300Lm, 36 000 Lux at 50cm (10°)
Colour rendering index	CRI: 92
Weight	1.1kg (500mm), 1.2kg (700mm)
Life span	30.000 h
Dimmer	Standard



Solus 9 LED Light, 12V/6W, 10°

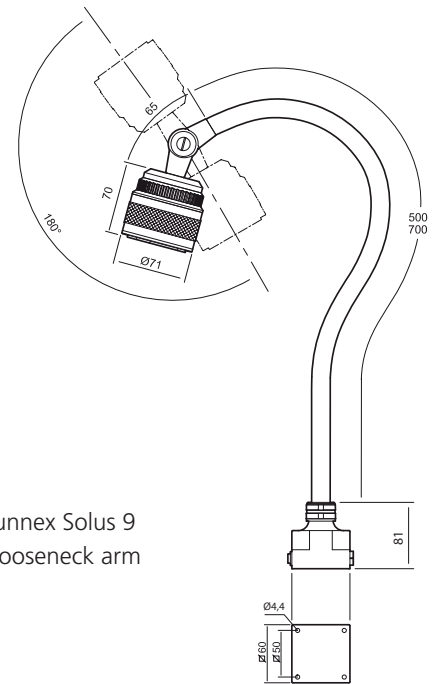


Solus 9 LED Light, 12V/6W, 25°

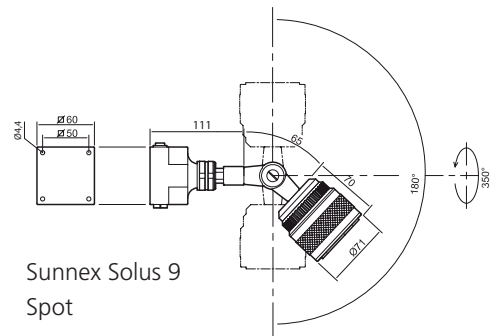


Solus 9 LED Light, 12V/6W, 40°

Model	Arm	Connection	Optics	Other	Part no.
Solus 9	500 mm	12-24V AC/DC	10°		33310
			25°		33310-25
	700 mm	12-24V AC/DC	10°		33330
			25°		33330-25
	500 mm-panel	12-24V AC/DC	10°	1m lead wires	33510
			25°		33510-25
	700 mm-panel	12-24V AC/DC	10°	1m lead wires	33530
			25°		33530-25
Solus 9 spot	Spot	12-24V AC/DC	10°	IP20	33360
			25°		33360-25



Sunnex Solus 9 Gooseneck arm



Sunnex Solus 9 Spot

PSU (100-240V~)



Plug-in Adaptor for Europe 230V
33901

Mounting Accessories



Magnetic base
12010

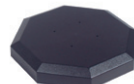


Table base
14015



C-Clamp
14020



Wall mount
14030

More info about
Accessories
see separate leaflet
www.sunnex.se



Chapel Offices, Birtton, Bucks, England. HP22 5DW

+44 (0)1296 395400

✉ sales@sunnex.co.uk

🌐 www.sunnex.co.uk